

STOBAG

NEW

# SURAVA

Stylish textile shading system  
that adds colorful accents  
to the facade architecture.



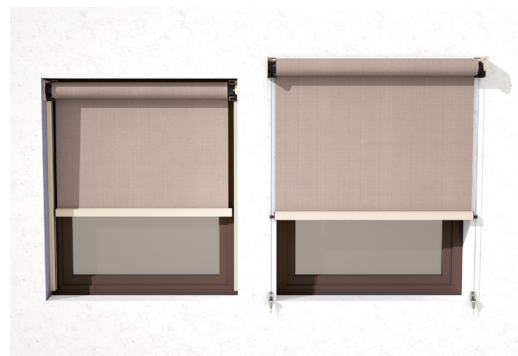
# SURAVA VA1100 LIGHT



Cover panel available in one or two colors



Niche mounting, soffit mounting



Aluminum rail and wire rope

## VA1100 LIGHT

- Versatile vertical shading without box
- Can be mounted on the wall, under the ceiling or in the reveal
- Various guidance systems: wire rope, bars or aluminum rail
- Elegant cover panels with unique magnetic mechanism
- Add colorful accents – for a two-tone variant, choose the cover panel in a color from the STOBAG Classic range
- Select the unwinding direction of the fabric (unrolling inside or outside)
- Up to 3 systems can be coupled



min. 40 cm  
max. 500 cm

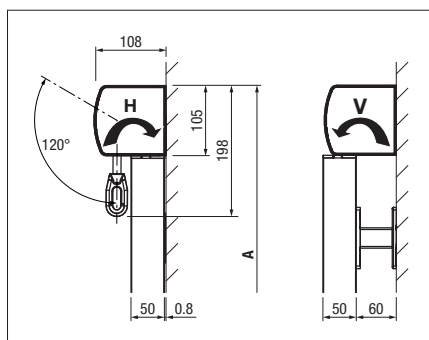


min. 40 cm  
max. 400 cm\*

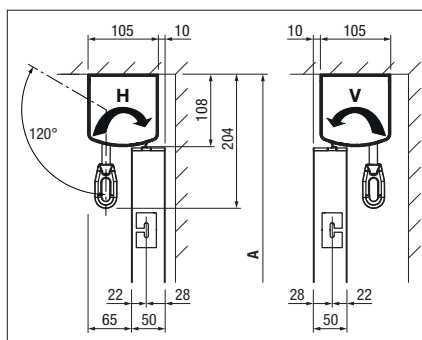
\*with wire rope/bar guide up to max. 300 cm high, with guide rail up to max. 400 cm height



Technical dimensions in millimetres



Direct wall mounting with one-piece guide rail



Ceiling mounting with one-piece guide rail (direct mounting)



REGISTRATION REQUIRED



### COLORS

Discover the diverse options when selecting frame colours.



### FABRICS

Choose from a comprehensive range of materials and colours.



### ELECTRICS

More convenience thanks to the automated control and lighting systems.

More information at [www.stobag.com](http://www.stobag.com)