

S T O B A G

JUMBO

Shaded areas cover up
to 90 square metres.



JUMBO S2160/2



Telescopic arm technology

- Shading of large areas up to 90 m²
- Projection up to max. 500 cm
- High rigidity and flexible bracket distribution thanks to 4-edge back bar
- Cover remains consistently taut and high thanks to telescopic arm technology
- Improved width / projection ratio
- Self-aligning bearings for the roller shaft guarantee optimum cover winding
- Awning incline adjustable from 5° to 22°
- Optional top board available
- Optional Valance provides additional shade and hides the awning arms from view



min. 395 cm
max. 1800 cm



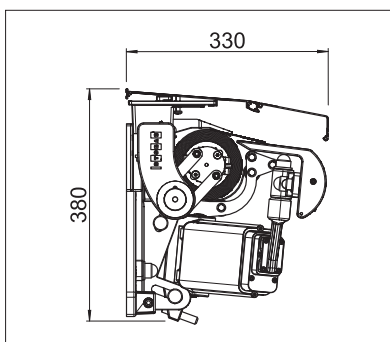
min. 350 cm
max. 500 cm



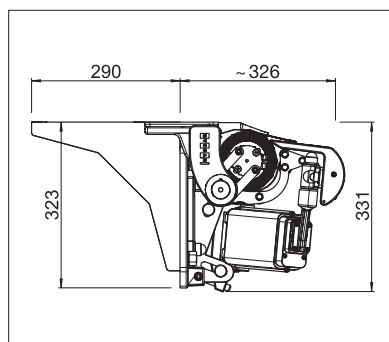
The wind resistance class can vary depending on version and dimension.



Technical dimensions in millimetres



Wall installation with top board



Ceiling mounting with ceiling bracket



EN 13561



REGISTRATION
REQUIRED



COLORS

Discover the diverse options when selecting frame colors.



FABRICS

Choose from a comprehensive range of materials and colors.



ELECTRICS

More convenience thanks to the automated control and lighting systems.

More information at www.stobag.com